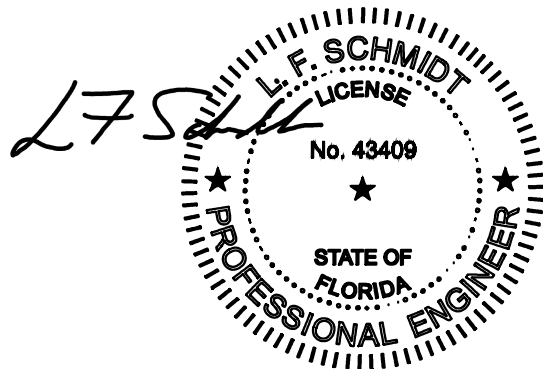




250 Staunton Turnpike, Parkersburg, WV 26104

# 8400 Series Vinyl Sliding Patio Pocket Door - XXP "NON-IMPACT"

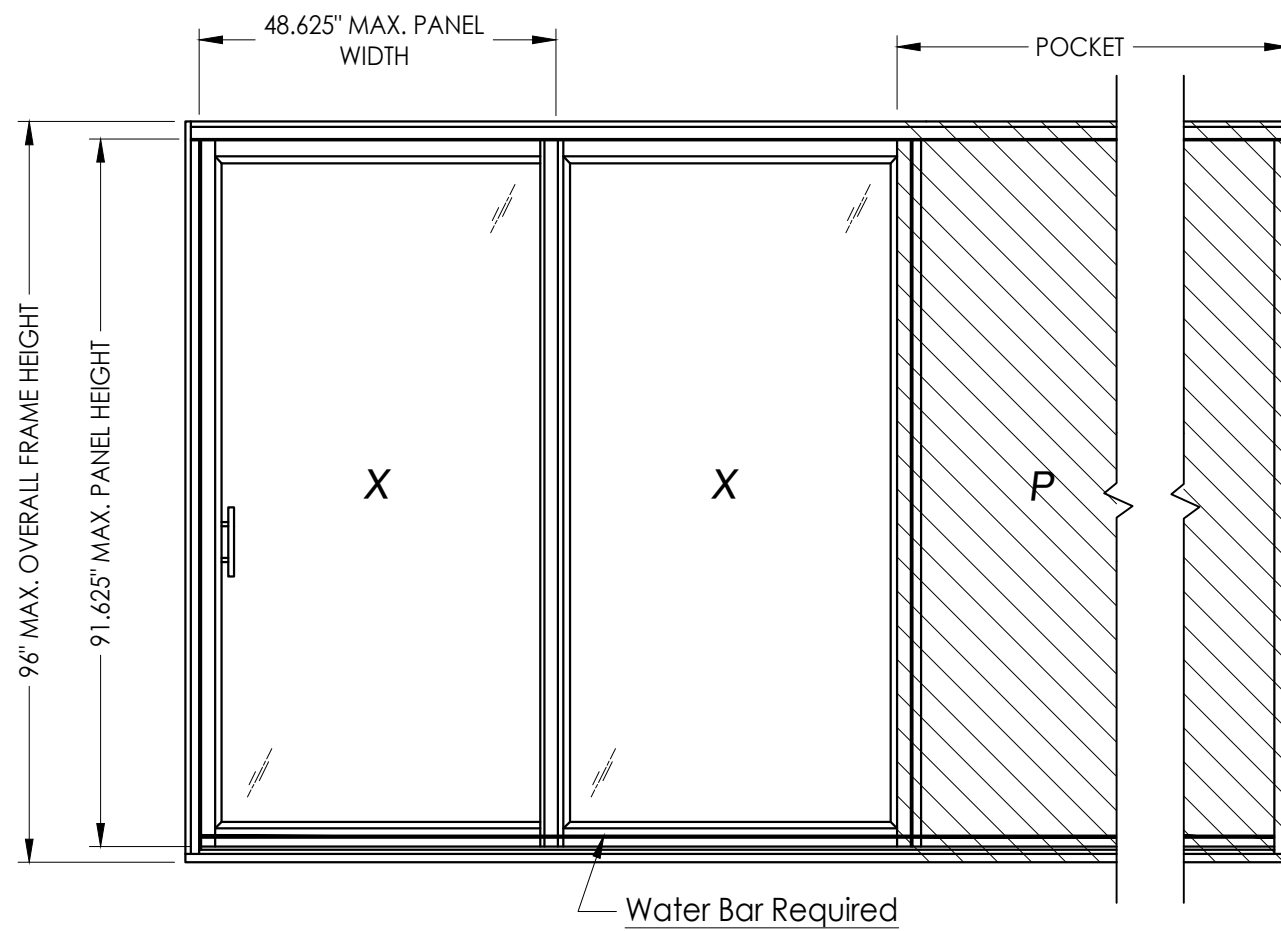


This item has been digitally signed and sealed by L. F. Schmidt, P.E. on the date adjacent to the seal. Printed copies of this document are not considered signed and sealed and the signature must be verified on any electronic copies.

THIS PRODUCT APPROVAL IS VALID ONLY FOR THE STATE OF FLORIDA

Documents Prepared By:  
Lyndon F. Schmidt  
P.E. No. 43409

**RW** BUILDING CONSULTANTS, INC.  
P.O. Box 230, Vairico, FL 33595  
Phone No.: 813.659.9197  
FBPE Registry No. 9813



### GENERAL NOTES

1. This product has been evaluated and is in compliance with the 8th Edition (2023) Florida Building Code (FBC) structural requirements excluding the "High Velocity Hurricane Zone" (HVHZ).
2. Product anchors shall be as listed and spaced as shown on details. Anchor embedment to base material shall be beyond wall dressing or stucco.
3. When used in areas requiring wind borne debris protection this product is required to be protected with an impact resistant covering that complies with FBC Sections 1609.1.2 & R301.2.1.2.
4. For 2x stud framing construction, anchoring of these units shall be the same as that shown for 2x buck masonry construction.
5. Site conditions that deviate from the details of this drawing require further engineering analysis by a licensed engineer or registered architect.

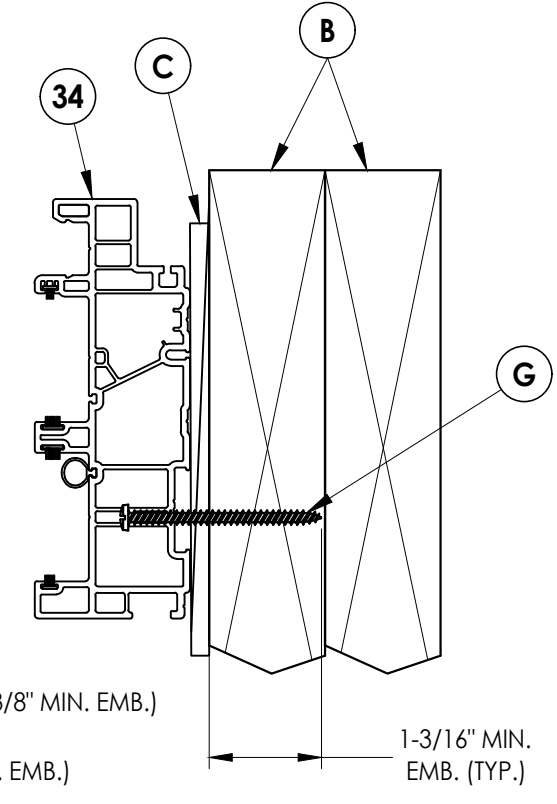
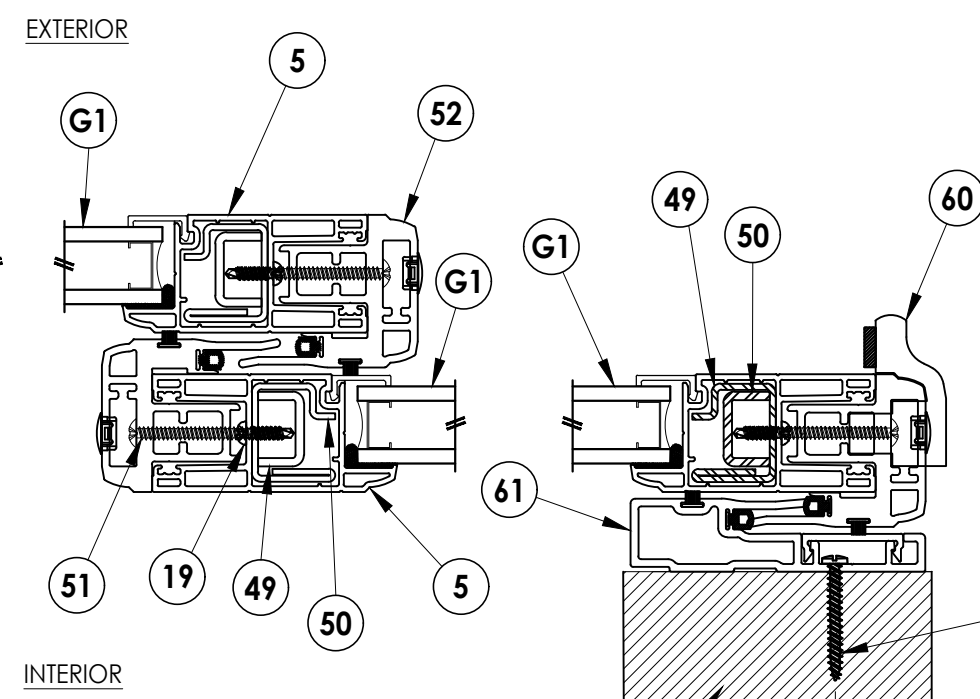
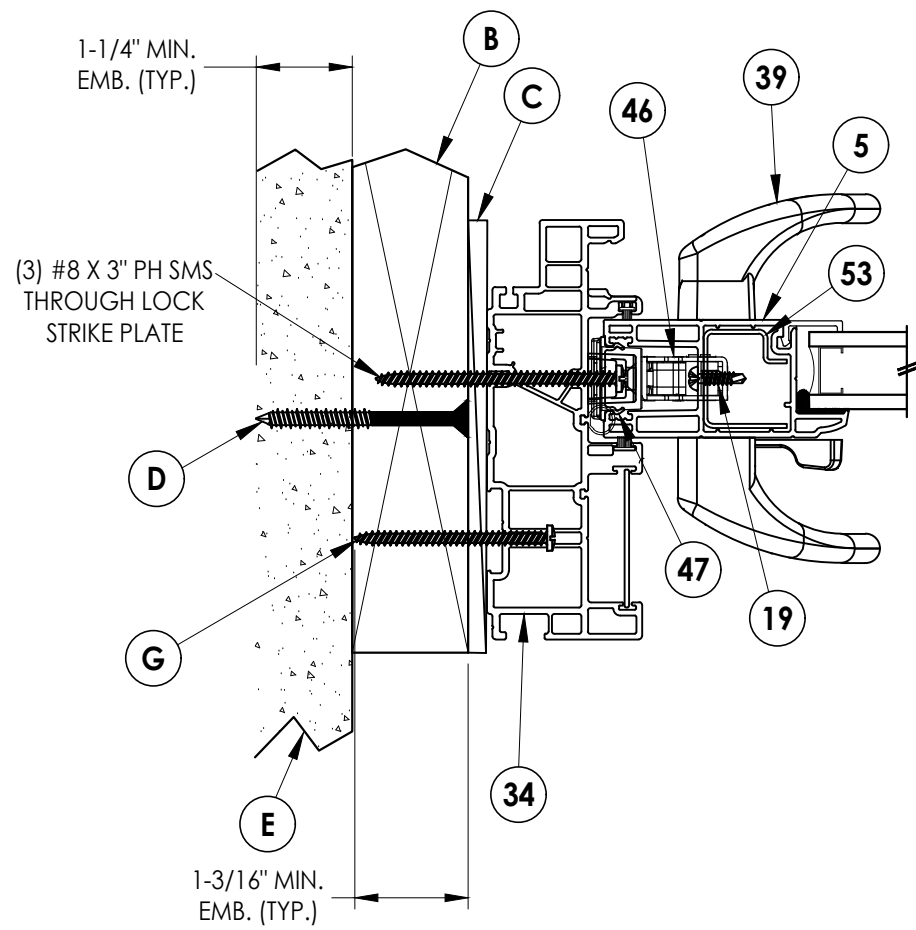
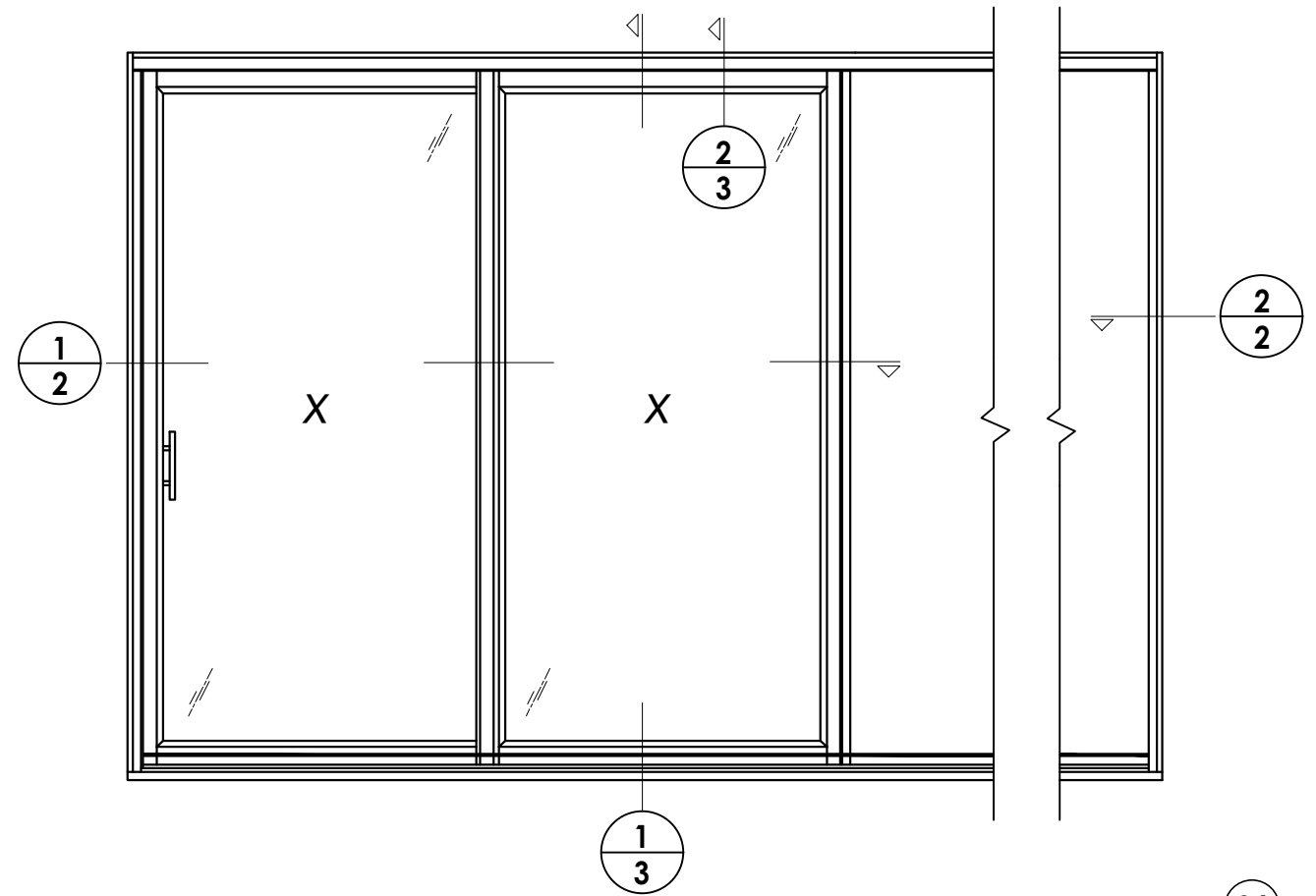
### TABLE OF CONTENTS

SHEET #	DESCRIPTION
1	Typical elevation, design pressures & general notes
2	Horizontal cross sections
3	Vertical cross sections
4	Buck & frame anchoring
5	Components
6	Bill of materials & glazing detail

MAX. PANEL DIMENSION	MAX. D.L.O. DIMENSION	GLASS TYPE	DESIGN PRESSURE (PSF)	
			POSITIVE	NEGATIVE
48.625" X 91.625"	41.625" X 85.5"	G1	+50.0	-50.0

NO.	DATE	BY	REVISIONS		
			DESCRIPTION	DATE	BY

DATE: 10/16/23  
SCALE: N.T.S.  
DWG. BY: LFS  
CHK. BY: RW  
DRAWING NO.: FL-16216.17  
SHEET 1 OF 6



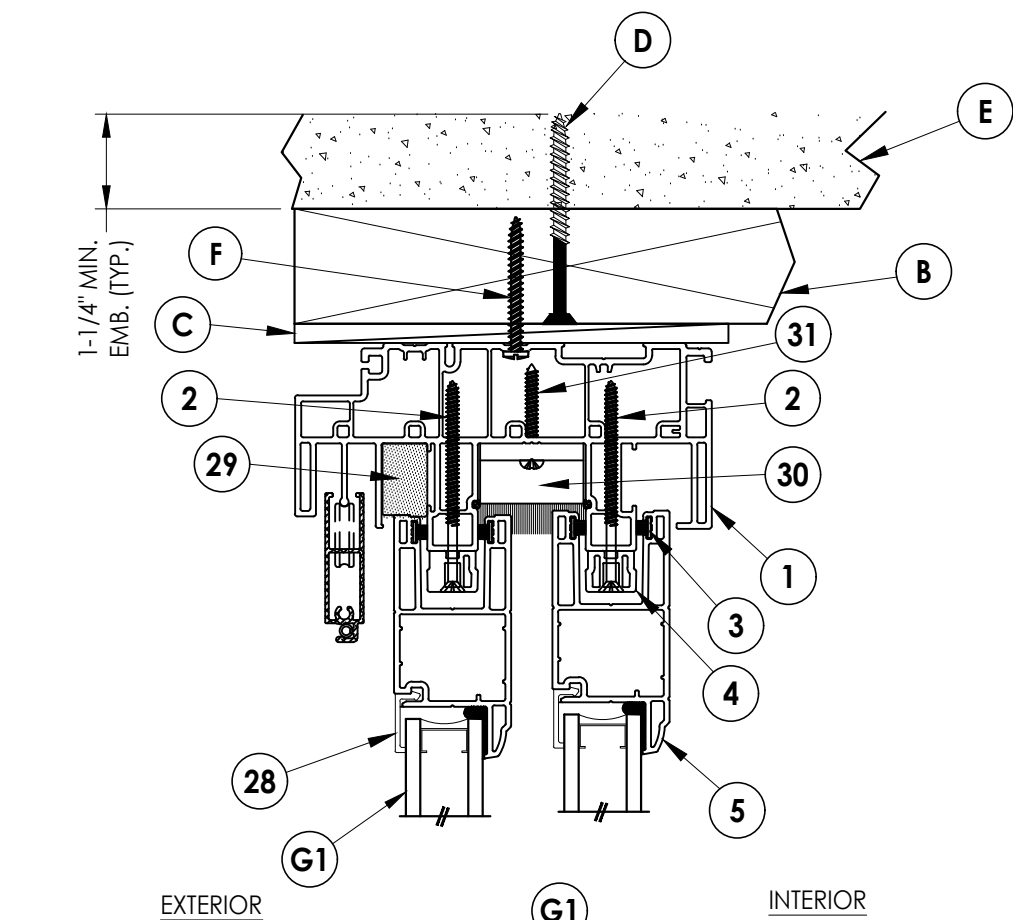
F WOOD (1-3/8" MIN. EMB.)  
 H CONCRETE (1-1/4" MIN. EMB.)

POCKET WALL (BY OTHERS)  
 1.25" MIN EDGE DISTANCE

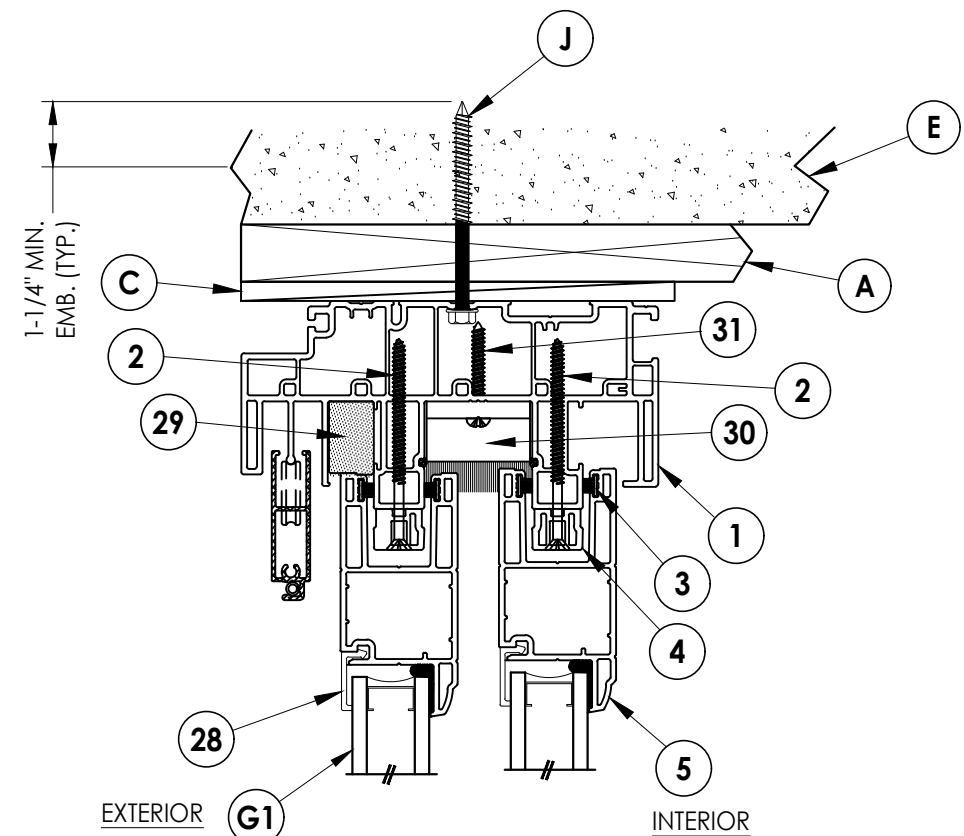
**1 HORIZONTAL CROSS SECTION**  
 2 Shown w/ 2X Buck

**2 HORIZONTAL CROSS SECTION**  
 2 Shown w/ 2X Stud Framing

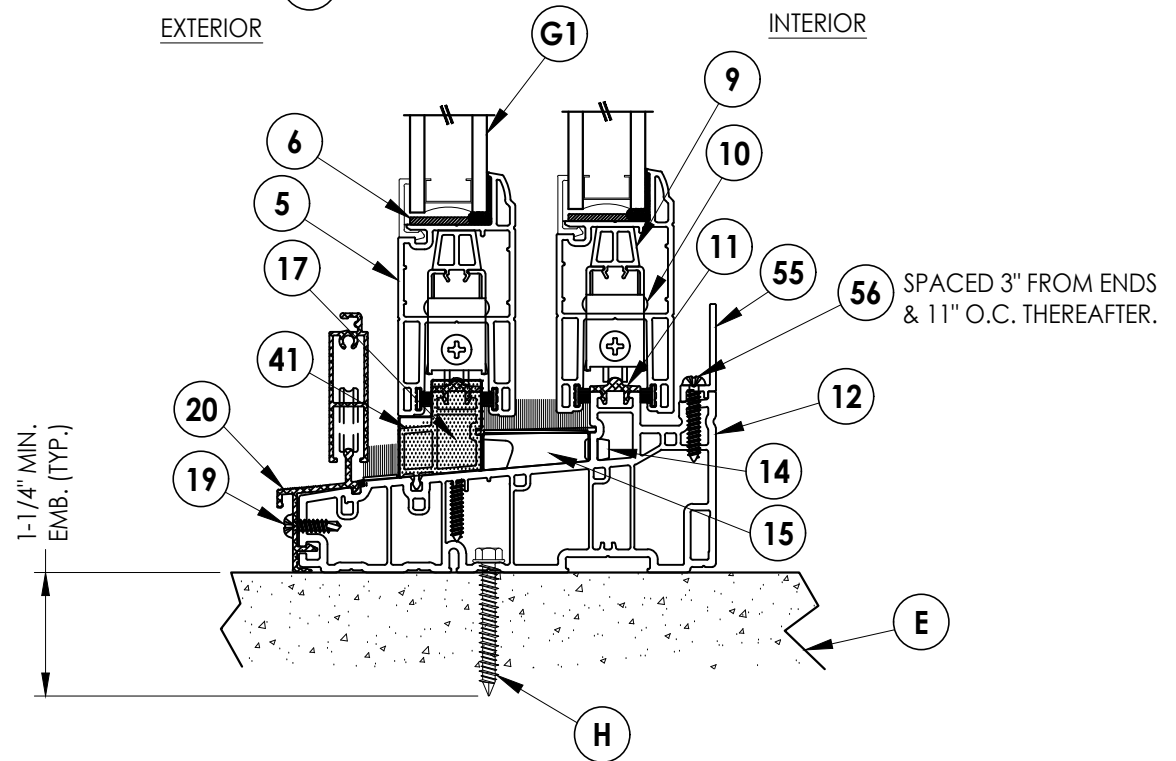
Documents Prepared By: Lyndon F. Schmidt P.E. No. 43409		BUILDING CONSULTANTS, INC. P.O. Box 230, Valrico, FL 33595 Phone No.: 813.659.9197 FBPE Registry No. 9813	
PRODUCT: 8400 SERIES VINYL SLIDING PATIO DOORS	PART OR ASSEMBLY: HORIZONTAL CROSS SECTIONS		
		NO.	DATE
		BY	
REVISIONS			
DATE: 10/16/23			
SCALE: N.T.S.			
DWG. BY: LFS			
CHK. BY: RW			
DRAWING NO.: FL-16216.17			
SHEET 2 OF 6			



**1** VERTICAL CROSS SECTION  
**3** Shown w/ 2X Buck & Head & Direct to Masonry @ Sill



**2** VERTICAL CROSS SECTION  
**3** Shown w/ 1X Buck



**1** VERTICAL CROSS SECTION  
**3** Shown w/ 2X Buck & Head & Direct to Masonry @ Sill

56 SPACED 3" FROM ENDS & 11" O.C. THEREAFTER.

Documents Prepared By:  
 Lyndon F. Schmidt  
 P.E. No. 43409

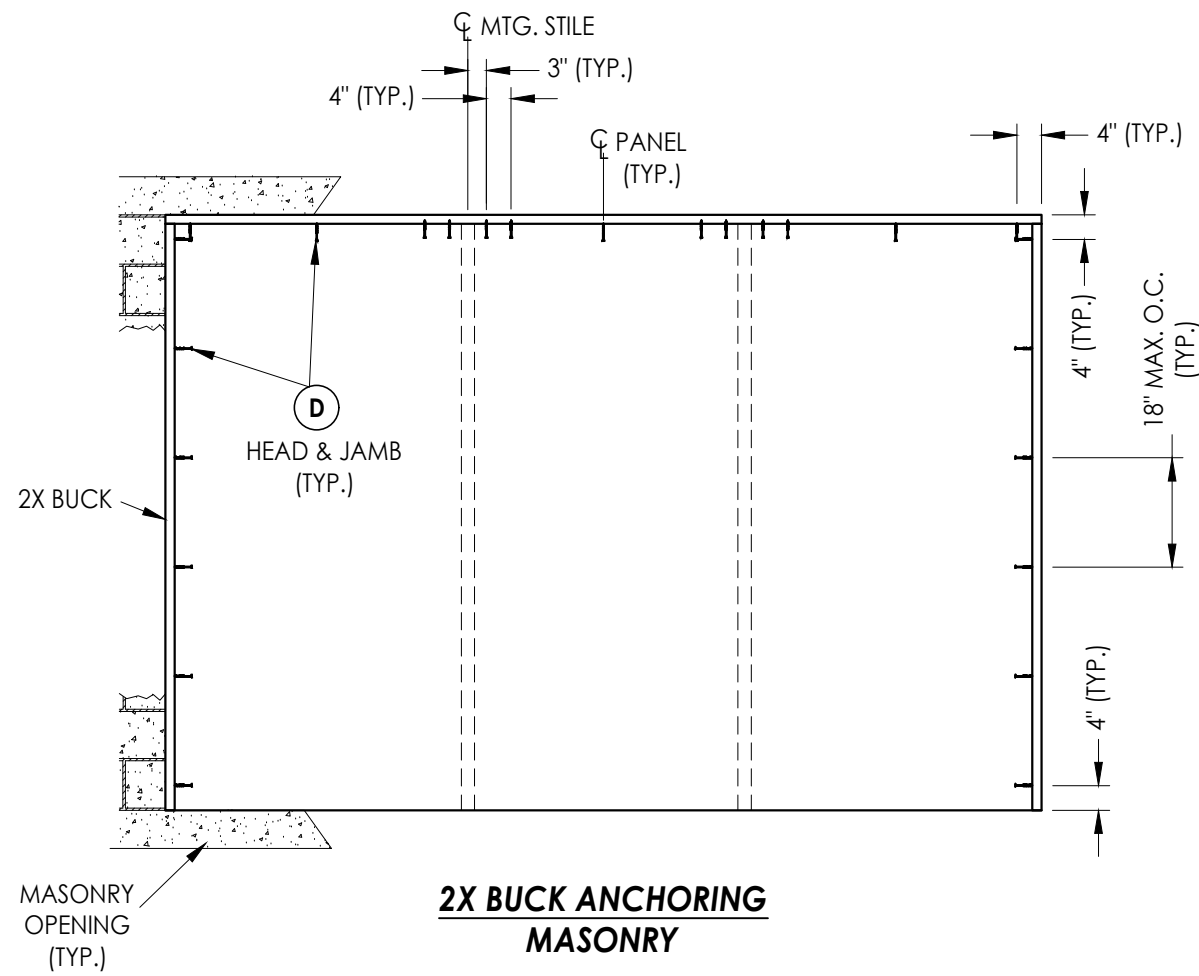
**RW** BUILDING CONSULTANTS, INC.  
 P.O. Box 230, Valrico, FL 33595  
 Phone No.: 813.659.9197  
 FBPE Registry No. 9813

PRODUCT:  
 8400 SERIES VINYL  
 SLIDING PATIO DOORS

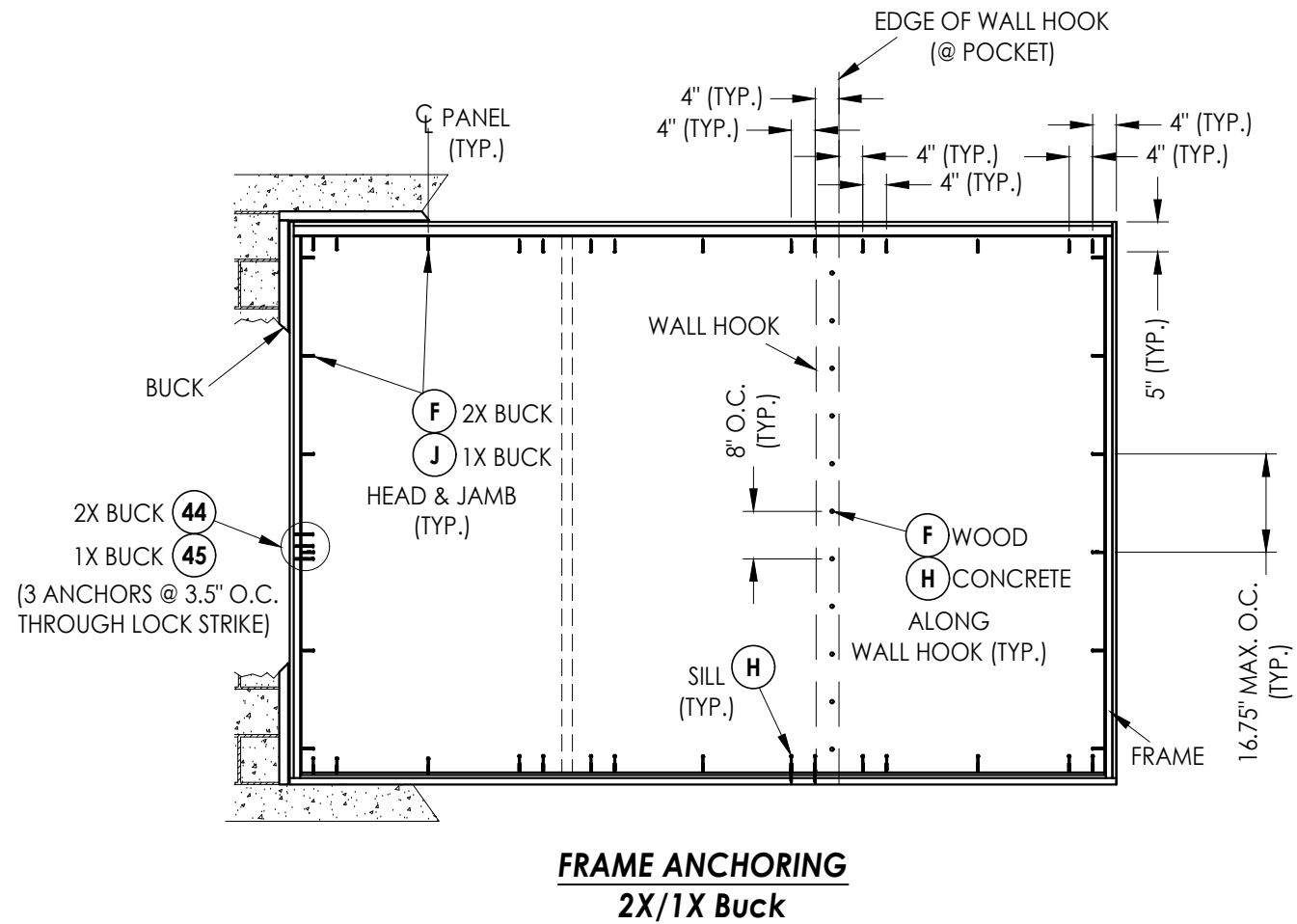
PART OR ASSEMBLY:  
 VERTICAL  
 CROSS SECTIONS

NO.	DATE	BY

DATE: 10/16/23  
 SCALE: N.T.S.  
 DWG. BY: LFS  
 CHK. BY: RW  
 DRAWING NO.:  
 FL-16216.17  
 SHEET 3 OF 6



**2X BUCK ANCHORING  
MASONRY**



**FRAME ANCHORING  
2X/1X Buck**

**CONCRETE ANCHOR NOTES:**

- Concrete anchor locations at the corners may be adjusted to maintain the min. edge distance to mortar joints.
- Concrete anchor locations noted as "MAX. ON CENTER" must be adjusted to maintain the min. edge distance to mortar joints, additional concrete anchors may be required to ensure the "MAX. ON CENTER" dimension are not exceeded.
- Concrete anchor table:

ANCHOR TYPE	ANCHOR SIZE	MIN. EMBEDMENT	MIN. CLEARANCE TO MASONRY EDGE	MIN. CLEARANCE TO ADJACENT ANCHOR
ITW TAPCON®	1/4"	1-1/4"	2"	4"
DeWALT ULTRACON+®	3/16"	1-1/4"	2-1/2"	1-1/8"
	1/4"	1-1/4"	1"	4"

**WOOD SCREW INSTALLATION NOTES:**

- Maintain a minimum 5/8" edge distance, 1" end distance, & 1" o.c. spacing of wood screws to prevent the splitting of wood.

Documents Prepared By:  
Lyndon F. Schmidt  
P.E. No. 43409

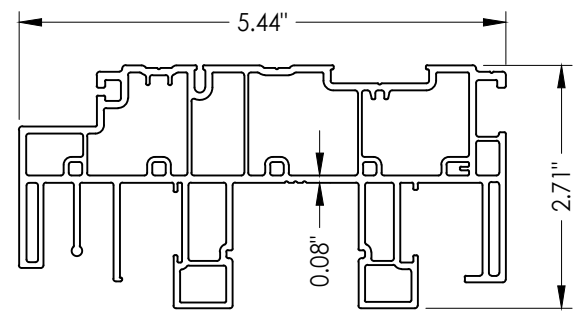
**RW** BUILDING CONSULTANTS, INC.  
P.O. Box 230, Vairico, FL 33595  
Phone No.: 813.659.9197  
FBPE Registry No. 9813

PRODUCT:  
8400 SERIES VINYL  
SLIDING PATIO DOORS

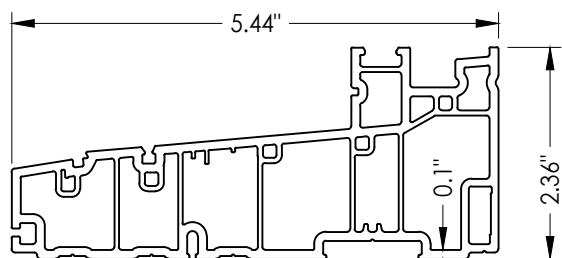
PART OR ASSEMBLY:  
BUCK & FRAME  
ANCHORING

NO.	DATE	BY	REVISIONS

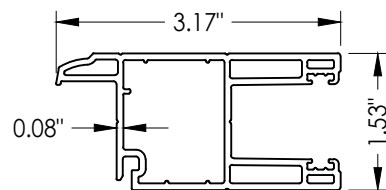
DATE: 10/16/23  
SCALE: N.T.S.  
DWG. BY: LFS  
CHK. BY: RW  
DRAWING NO.:  
FL-16216.17  
SHEET 4 OF 6



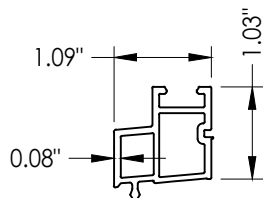
**1** FRAME HEAD



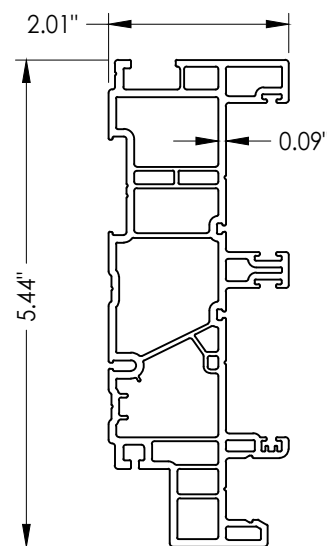
**12** FRAME SILL



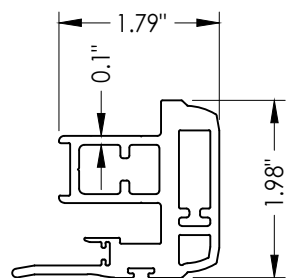
**5** STILE, RAIL



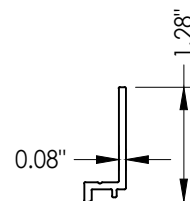
**41** MOBILE PANEL SUPPORT



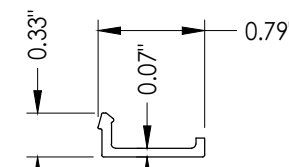
**34** FRAME JAMB



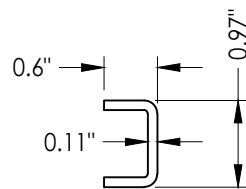
**52** INTERLOCK



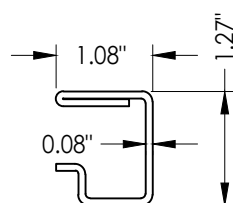
**55** WATER BAR



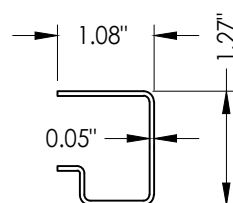
**28** GLAZING BEAD



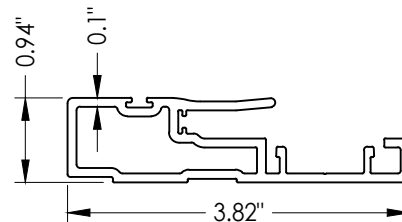
**49** REINFORCEMENT  
Meeting rail



**50** REINFORCEMENT  
Meeting rail



**53** REINFORCEMENT  
Stile



**61** WALL HOOK

Documents Prepared By:  
Lyndon F. Schmidt  
P.E. No. 43409

**RW** BUILDING CONSULTANTS, INC.  
P.O. Box 230, Valrico, FL 33595  
Phone No.: 813.659.9197  
FBPE Registry No. 9813

PRODUCT:  
8400 SERIES VINYL  
SLIDING PATIO DOORS

PART OR ASSEMBLY:  
COMPONENTS

NO.	DATE	BY

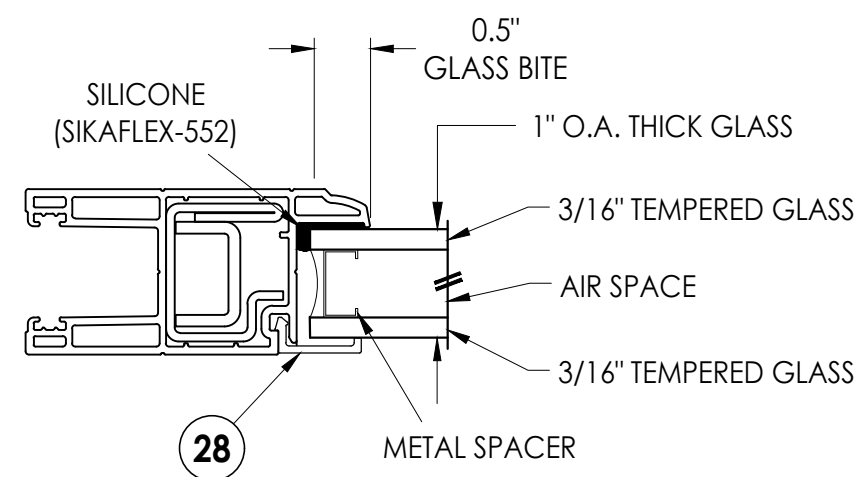
DATE: 10/16/23  
SCALE: N.T.S.  
DWG. BY: LFS  
CHK. BY: RW  
DRAWING NO.:  
FL-16216.17  
SHEET 5 of 6

Z:\2023 FBC Drawings\Wincore Window Company\FL-16216 R14\FL-16216.17.dwg

**BILL OF MATERIALS**

ITEM #	DESCRIPTION	MATERIAL
A	1X BUCK (G >= 0.42)	WOOD
B	2X BUCK/2X FRAMING (G >= 0.42)	WOOD
C	1/4" MAX. SHIM SPACE	-
D	1/4" X 2-3/4" FH DeWALT OR ITW CONCRETE SCREW	STEEL
E	MASONRY - 3,000 PSI MIN. CONCRETE CONFORMING TO ACI 301 OR HOLLOW BLOCK CONFORMING TO ASTM C90	CONCRETE
F	#10 X 1-1/2" PH SMS (1-3/8" MIN. EMBEDMENT)	STEEL
G	#10 X 2-1/2" PPH SCREW	STEEL
H	1/4" X 1-3/4" HWH DeWALT OR ITW CONCRETE SCREW	STEEL
J	1/4" X 2-3/4" HWH DeWALT OR ITW CONCRETE SCREW	STEEL
1	FRAME HEAD*	PVC
2	#8 X 2-3/4" FH QUADREX WOOD SCREW	STEEL
3	WEATHERSTRIP (SCHLEGEL #HF-7522-270)	-
4	HEAD TRACK*	PVC
5	STILE & RAIL*	PVC
6	SETTING BLOCK	-
9	SHIM	-
10	TANDEM WHEEL	NYLON
11	ROLLING RAIL	ALUM
12	SILL*	PVC
14	SILL PLUG	NYLON
15	SILL WEATHERSEAL	-
17	MOBILE SASH SUPPORT GASKET	-
19	#8 X 5/8" PAN HEAD, SQUARE, SELF-DRILLING SCREW	STEEL
20	OUTSIDE SILL CLADDING	ALUM
28	GLAZING BEAD*	PVC
29	FOAM PLUG	-
30	HEAD WEATHERSEAL	-
31	#8 X 1-1/4" PAN HEAD, QUADREX, SCREW	STEEL
34	FRAME JAMB*	PVC
39	HANDLE KIT	ZINC
41	MOBILE PANEL SUPPORT*	PVC
44	#8 X 3" PH SMS	STEEL
45	3/16" X 3-1/4" FH DeWALT CONCRETE SCREW	STEEL
46	STAINLESS STEEL DOUBLE POINT MORTISE LOCK KIT	STEEL
47	SASH COVERING CAP*	PVC
49	STILE REINFORCEMENT	STEEL
50	STILE REINFORCEMENT	STEEL
51	#8 X 2" TRUSS HEAD QUADREX SCREW	STEEL
52	INTERLOCK	ALUM
53	STILE REINFORCEMENT	STEEL
54	Q-LON WEATHERSTRIP (SCHLEGEL NO. QEZ 345)	-
55	WATER BAR	ALUM
56	#8 X 1" PPH SMS	SS
60	SASH PUSHER	ALUM
61	WALL HOOK	ALUM

\* THE APPROVED WHITE RIGID PVC EXTERIOR EXTRUSIONS FOR WINDOWS ARE TO BE PRODUCED BY EXTRUDERS LICENSEES IN "AAMA CERTIFICATION PROGRAMS FOR RIGID PVC EXTRUSIONS".



**G1 GLAZING DETAIL**

Documents Prepared By:  
 Lyndon F. Schmidt  
 P.E. No. 43409

**RW**  
 BUILDING CONSULTANTS, INC.  
 P.O. Box 230, Vairico, FL 33595  
 Phone No.: 813.659.9197  
 FBPE Registry No. 9813

PRODUCT:  
 8400 SERIES VINYL  
 SLIDING PATIO DOORS

PART OR ASSEMBLY:  
 BILL OF MATERIALS &  
 GLAZING DETAIL

NO.	DATE	BY	REVISIONS

DATE: 10/16/23  
 SCALE: N.T.S.  
 DWG. BY: LFS  
 CHK. BY: RW  
 DRAWING NO.: FL-16216.17  
 SHEET 6 OF 6